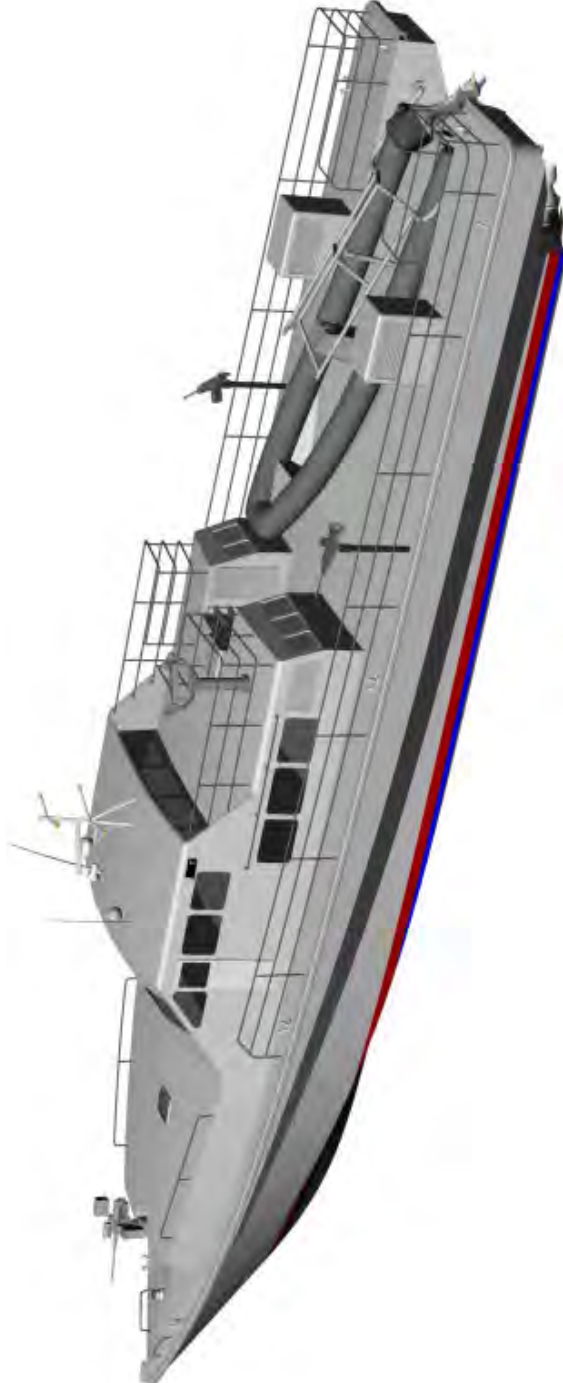
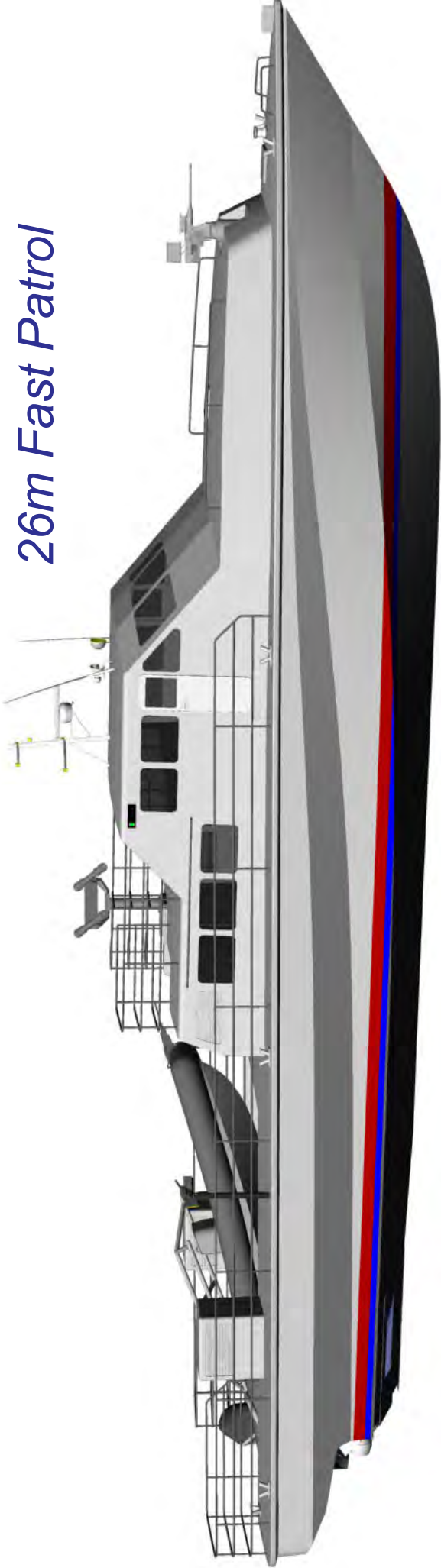


26m Fast Patrol

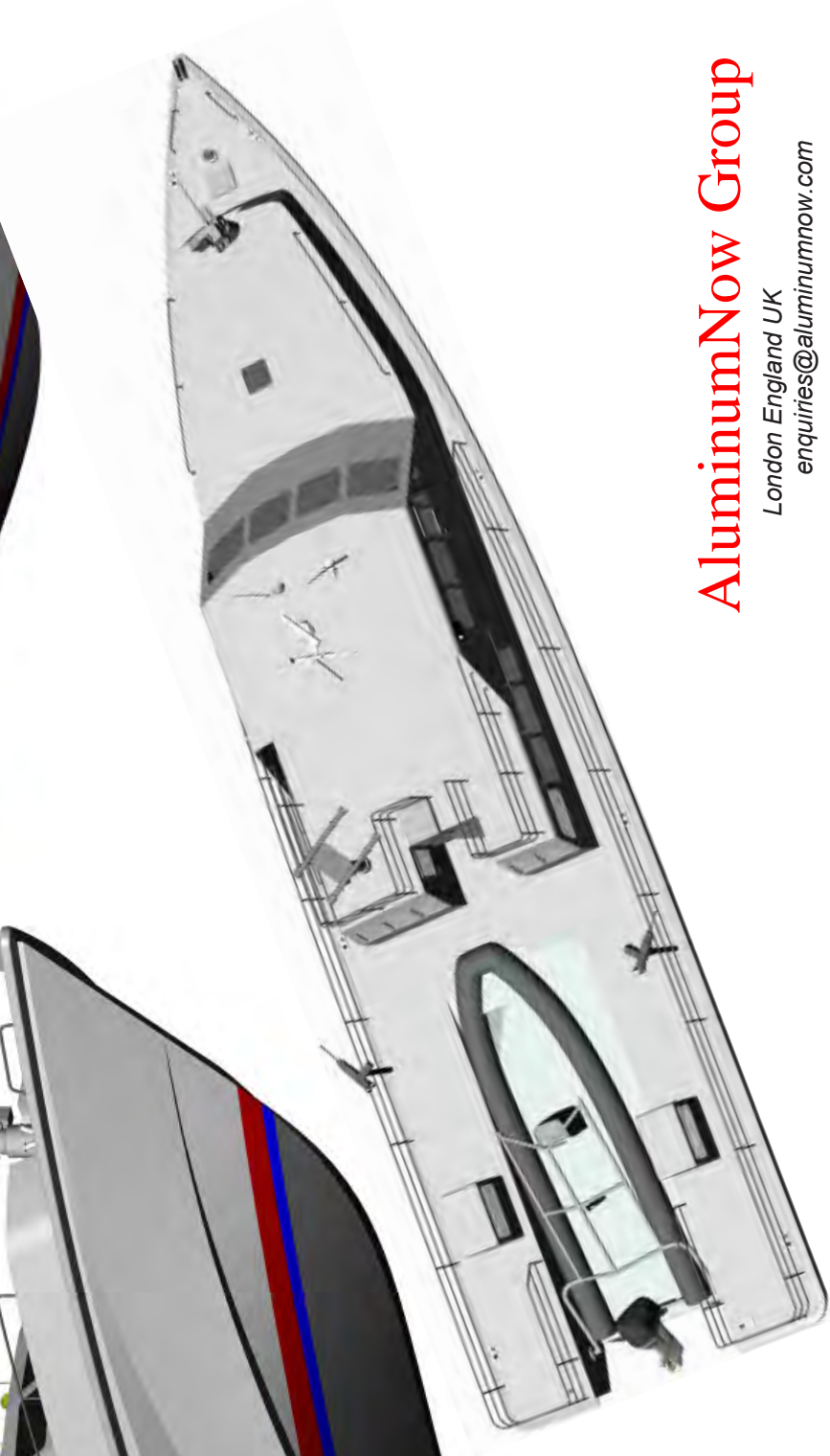
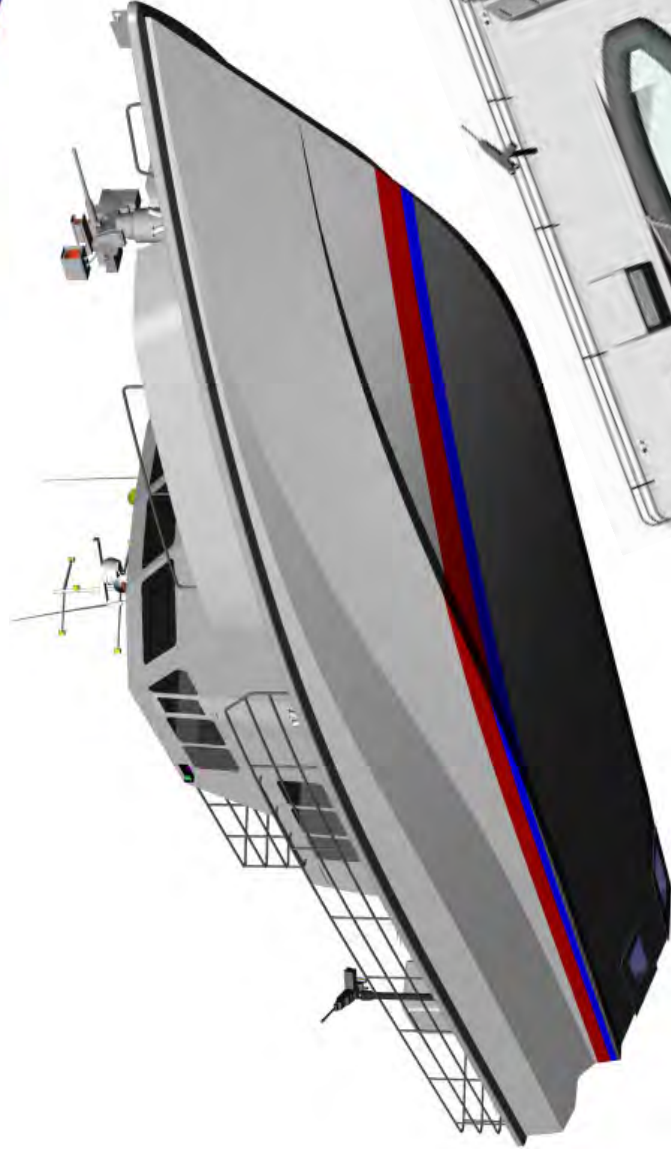
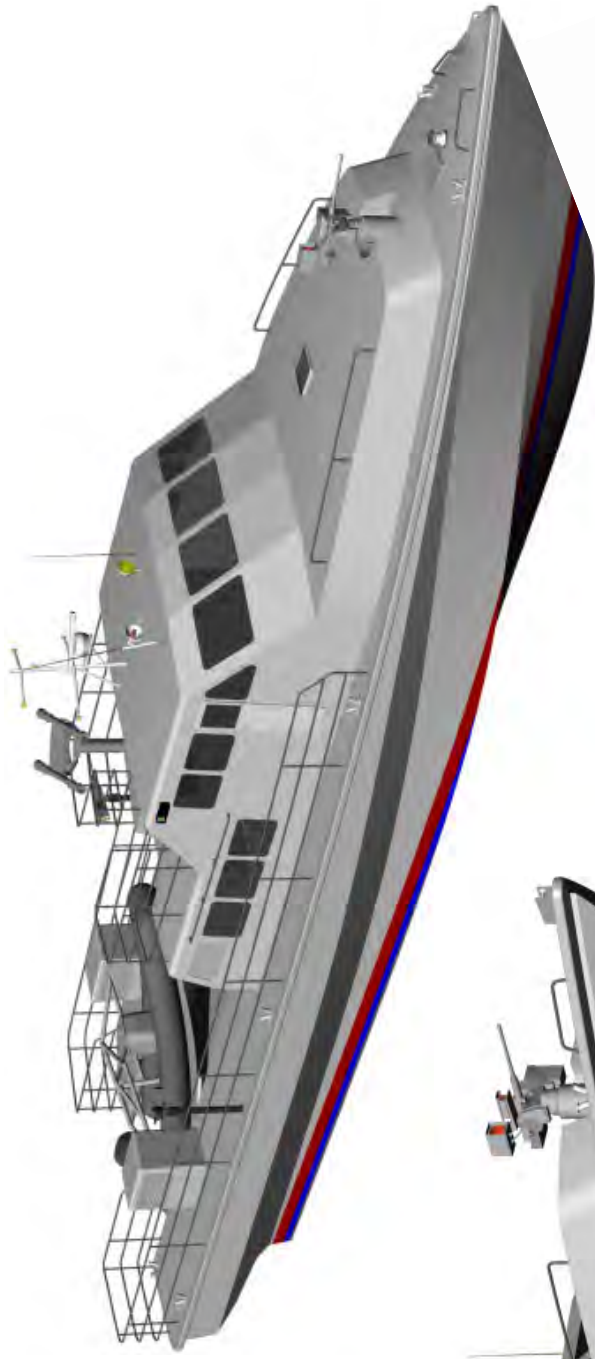


AluminumNow Group

London England UK

enquiries@aluminumnow.com

26m Fast Patrol

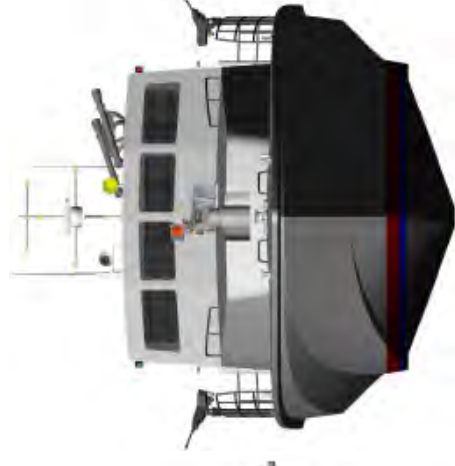


AluminumNow Group

London England UK

enquiries@aluminumnow.com

26m Fast Patrol



LOA : 26.2m
Lmoulded: 24.2m
LWL : 20.8m
Beam : 6.5m
Draft : 1.0m
Fuel : 10000lts Plus
Power : 3x1790kW
Speed : 56 knots

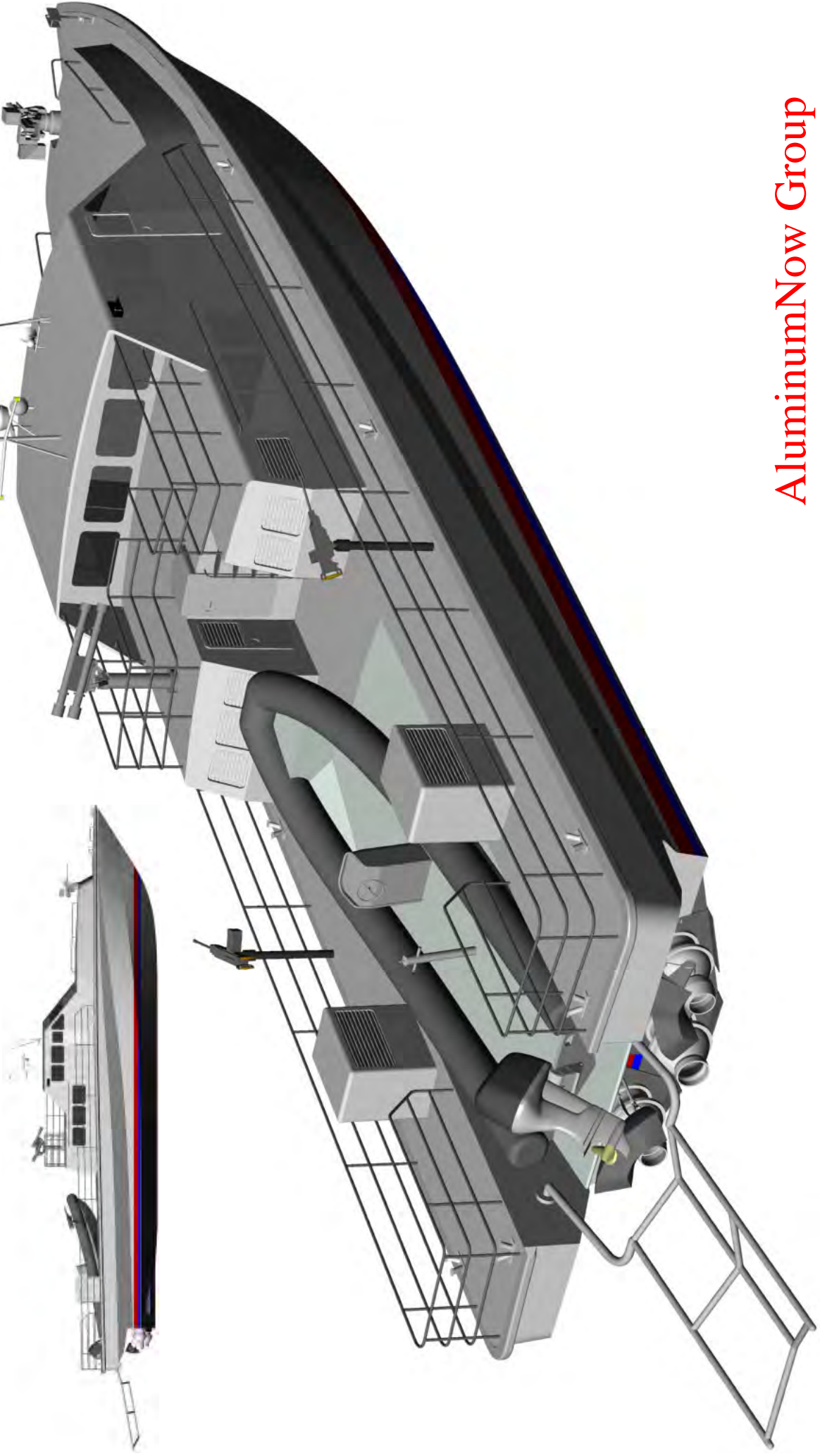
Classification :
DNV ✕1A1 HSLC R3 PATROL

Construction :
Marine Grade Aluminium

AluminumNow Group

London England UK enquiries@aluminumnow.com

26m Fast Patrol



AluminumNow Group

London England UK
enquiries@aluminumnow.com

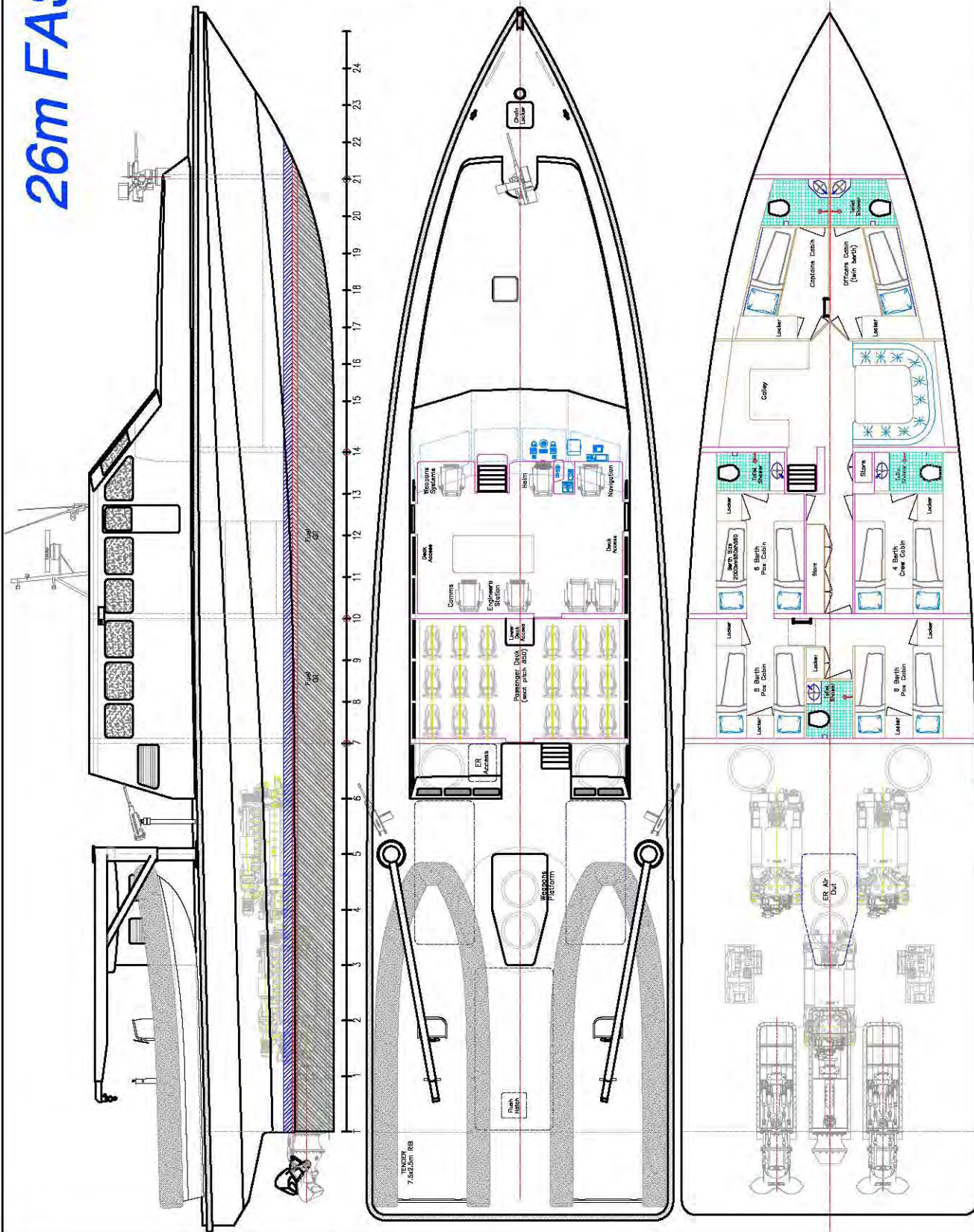
26m FAST PATROL

7 Crew, 18 Pax

LOA: 26.2m
Lmoulded: 24.2m
LWL: 20.8m
BEAM: 6.5m
BECHINE: 4.9m
DRAFT: 1.0m
DEADRISE: 20deg
FUEL: 10000lbs
WATER: 600lbs
SULLAGE: 300lbs
MAIN ENGINES: 3 x MTU 16V2000 M93
1780KW @ 2450rpm
3 x ZF 4540
GEARBOX: 3 x K&M Wa A50
PROPULSION: 3 x K&M Wa A50
GENSET: 2 x 30KWa
SPEED-loaded: 55knots
RANGE-80% mcr: 500nm
Crew 7
Passengers 18

CONSTRUCTION:
 MARINE GRADE ALUMINIUM
CLASS STANDARD:
 DNV R3 PATROL
SURVEY: USL 2B

SEATING:
 Ullman Atlantic
 Ullman Blacoya



VESSEL: 26m FAST PATROL

TITLE: GENERAL ARRANGEMENT

DWG No: P26-100

DATE: 25/1/2007

SCALE:

DRAWN: MDW

copyright ©

26m FAST PATROL

11 Crew, 15 Day Pax

LOA: 26.2m
 Unloaded: 24.2m
 LWL: 20.8m
 BEAM: 6.5m
 Bchine: 4.8m
 DRAFT: 1.0m
 DEADRISE: 20deg

FUEL: 10000lbs
 WATER: 6000ts
 SULLAGE: 3000ts

MAIN ENGINES: 3 x MTU 16V2000 MB3
 1790kW @ 2450rpm

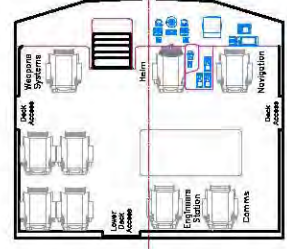
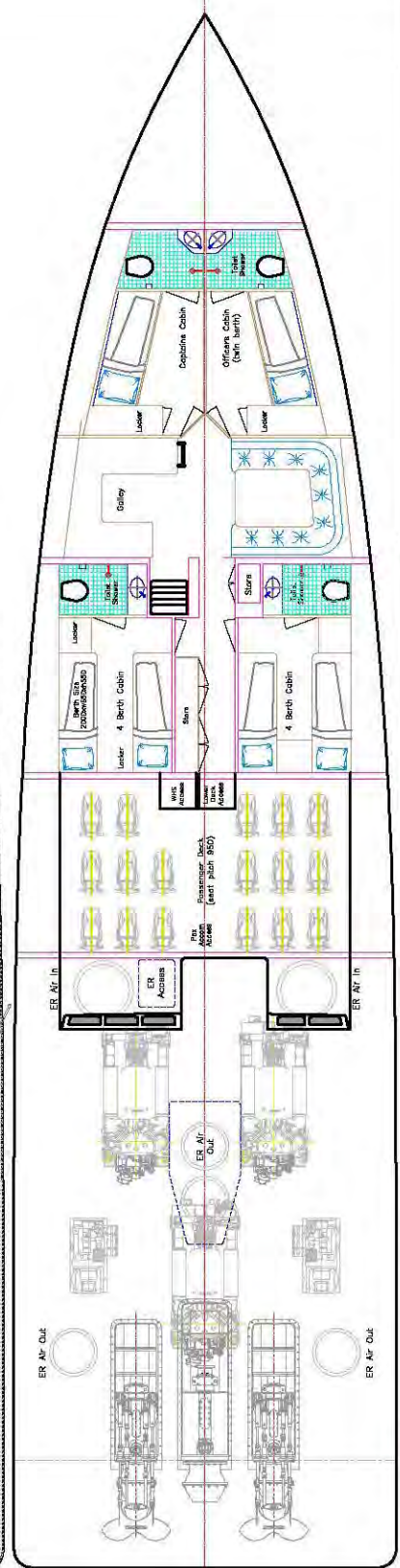
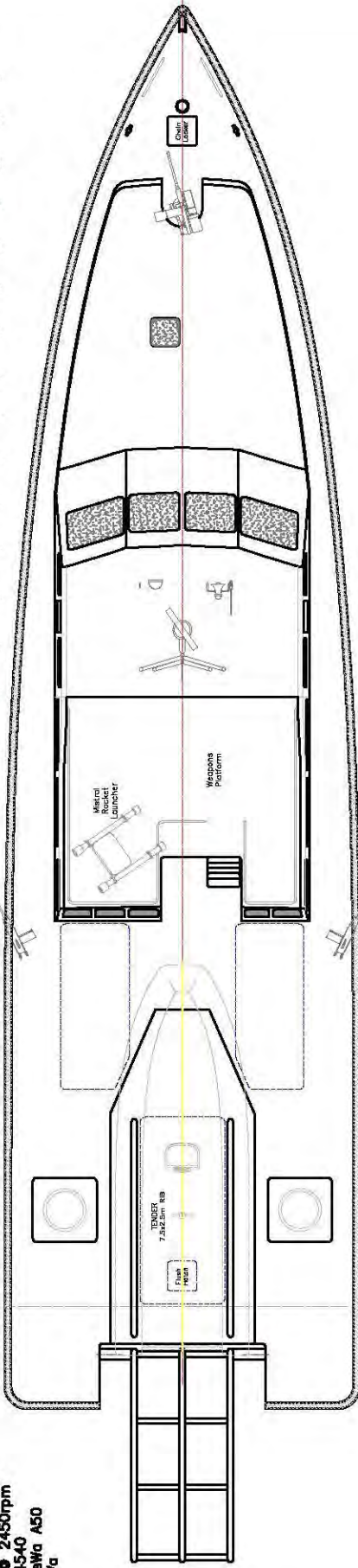
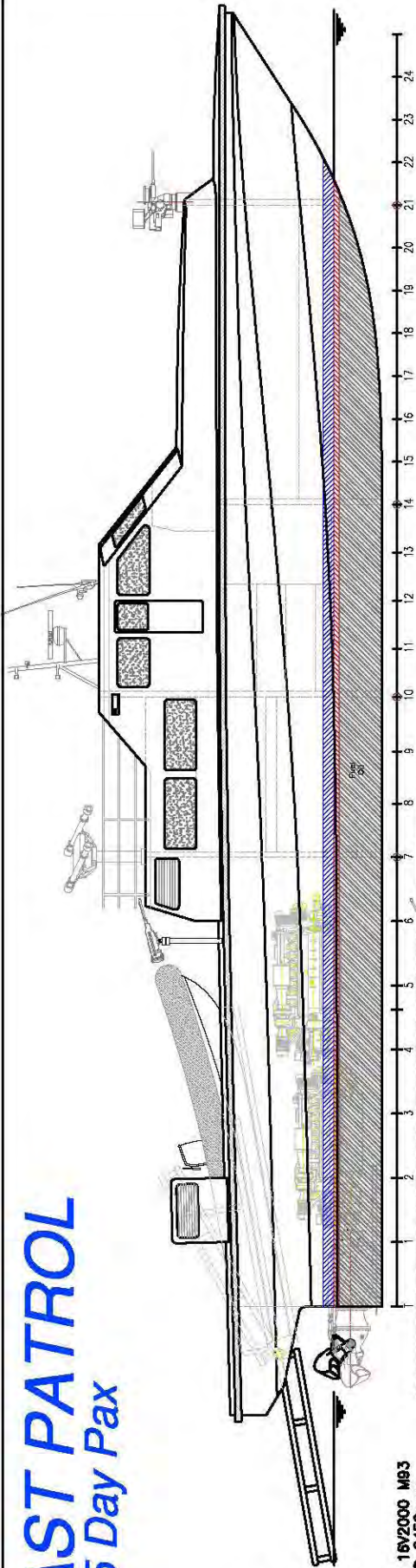
GEARBOX: 3 x ZF 4540
 PROPULSION: 3 x Komatsu A50
 GENSET: 2 x 30kVa

SPEED-loaded: 56knots
 RANGE-80% mer: 500nm

Crew 11
 Passengers 15 Day

CONSTRUCTION: MARINE GRADE ALUMINIUM
 CLASS STANDARD: DNV R3 PATROL
 SURVEY: USL 2B

SEATING: Ullman Atlantic
 Ullman Blacaya



VESSEL: 26m FAST PATROL

TITLE: GENERAL ARRANGEMENT

DWG No: P26-100

DATE: 26/1/2007

SCALE:

DRAWN: MDW

copyright ©